

Operating Stand BSA

 Automatic Operating Stand BSA



The advantage of being automatic

- Descending speed of 3.2 mm/s in accordance with the standard

„The BSA can greatly eliminate interference caused by different operators“.

Peter Strobel, General Manager



Different dead weight configurations are made available in accordance with DIN ISO 7619-1 and ASTM D 2240

PRODUCT INFORMATION

BSA 400

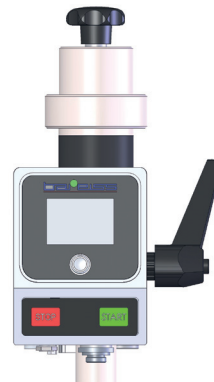
Contact Pressure: 400 g



Shore
00 | 000 | 000-S
AM | M

BSA 1000

Contact Pressure: 1 kg



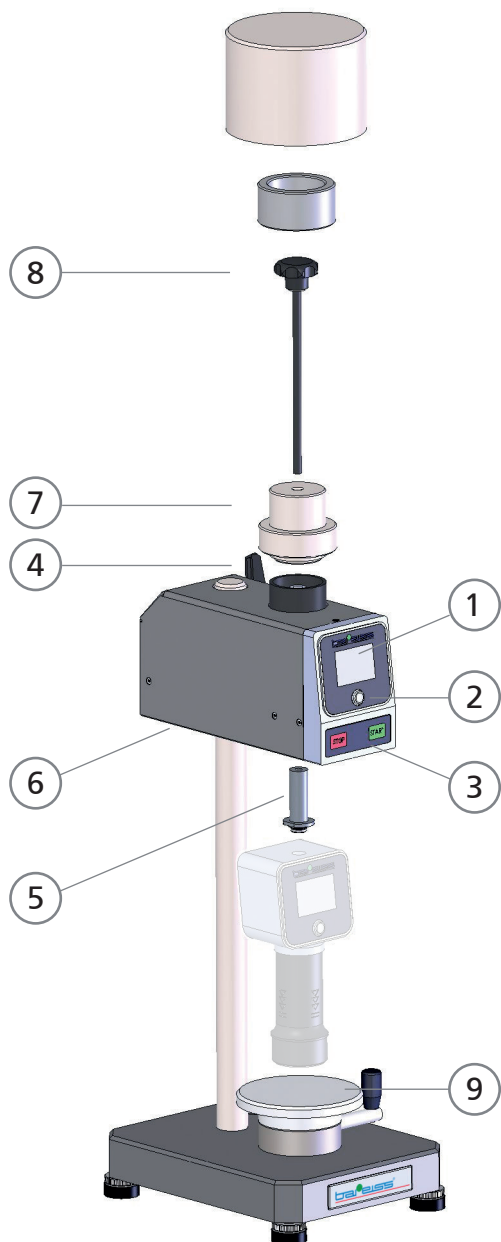
Shore
A | B | E | A0 | 0 | L/c
Asker C | Asker F

BSA 5000

Contact Pressure: 5 kg



Shore
D | D0 | C | Asker CS



1	Display	The main page of the display indicates the current measured value, time, date and the No. of the saved measurements. The simple menu navigates you easily to all different available settings.
2	Navigation Button	Maneuver the navigation button in 5 different directions with a touch of your thumb. Navigate through all functions cannot be done any easier.
3	START and STOP buttons	Press START to enable the descending of the durometer. Press STOP to disable the descending and the durometer will automatically go back to its initial position.
4	Clamp lever	The clamp lever allows the height adjustment of the main electronic module.
5	Adapter	An adapter can be custom-made to adapt different durometers to the BSA operating stand.
6	Electronic Connections	Data is transferrable through the USB interface and the BSA operating stand is powered by a power cord connection to the outlet.
7	Dead Weight	The deadweight is interchangeable according to the desired testing method.
8	Vertical Pin	The vertical pin is to provide the vertical rigidity of the BSA operating stand by securely connecting all the main components.
9	Specimen Table	The specimen table allows rotating and tilting adjustments to that the table surface can be in parallel to the durometer.
	Dimensions	LxWxH 20 x 16 x 45 cm
	Weight	12 kg